

9/7/2023 3:04 PM
z:\projects\plyco corp\ce-23-0752 - 2023 code change - series 20ev\dwg\pco009\pco009-fbc2023.dwg

PLYCO CORPORATION

SERIES 20EV GLAZED STEEL OUTSWING DOOR (NON-HVHZ) (NON-IMPACT)

INSTALLATION NOTES:

- ONE (1) INSTALLATION ANCHOR IS REQUIRED AT EACH ANCHOR LOCATION SHOWN UNLESS OTHERWISE NOTED.
- THE NUMBER OF INSTALLATION ANCHORS DEPICTED IS THE MINIMUM NUMBER OF ANCHORS TO BE USED FOR PRODUCT INSTALLATION.
- INSTALL INDIVIDUAL INSTALLATION ANCHORS WITHIN A TOLERANCE OF ±1/2 INCH OF THE DEPICTED LOCATION IN THE ANCHOR LAYOUT DETAIL (I.E., WITHOUT CONSIDERATION OF TOLERANCES). TOLERANCES ARE NOT CUMULATIVE FROM ONE INSTALLATION ANCHOR TO THE NEXT.
- SHIM AS REQUIRED AT EACH INSTALLATION ANCHOR WITH LOAD BEARING SHIM(S). MAXIMUM ALLOWABLE SHIM STACK TO BE 1/4 INCH. SHIM WHERE SPACE OF 1/16 INCH OR GREATER OCCURS. SHIM(S) SHALL BE CONSTRUCTED OF HIGH DENSITY PLASTIC OR BETTER.
- FOR INSTALLATION INTO WOOD FRAMING USE **#12 WOOD SCREWS** OF SUFFICIENT LENGTH TO ACHIEVE 1 1/2 INCH MINIMUM EMBEDMENT INTO WOOD SUBSTRATE.
- FOR INSTALLATION THROUGH 1X BUCK TO CONCRETE/MASONRY, OR DIRECTLY INTO CONCRETE/MASONRY, USE **1/4 INCH DIAMETER ITW TAPCONS** OF SUFFICIENT LENGTH TO ACHIEVE 1 1/4 INCH MINIMUM EMBEDMENT.
- FOR INSTALLATION INTO STEEL STUD FRAME USE **#12 GR. 5 SELF-TAPPING SCREWS** OF SUFFICIENT LENGTH TO ACHIEVE A MINIMUM 3 THREADS PENETRATION BEYOND STEEL STRUCTURE.
- FOR INSTALLATION ANCHORS THROUGH HINGES ONLY USE **#10 WOOD SCREWS, 1/4 INCH DIAMETER ITW TAPCONS, OR #10 SELF-TAPPING SCREWS** ADHERING TO EMBEDMENT & EDGE DISTANCE REQUIREMENTS LISTED IN NOTES 5-7 ABOVE.
- MINIMUM EMBEDMENT AND EDGE DISTANCE EXCLUDE WALL FINISHES, INCLUDING BUT NOT LIMITED TO STUCCO, FOAM, BRICK VENEER, AND SIDING.
- INSTALLATION ANCHORS AND ASSOCIATED HARDWARE MUST BE MADE OF CORROSION RESISTANT MATERIAL OR HAVE A CORROSION RESISTANT COATING.
- FOR HOLLOW BLOCK AND GROUT FILLED BLOCK, DO NOT INSTALL INSTALLATION ANCHORS INTO MORTAR JOINTS. EDGE DISTANCE IS MEASURED FROM FREE EDGE OF BLOCK OR EDGE OF MORTAR JOINT INTO FACE SHELL OF BLOCK.
- INSTALLATION ANCHORS SHALL BE INSTALLED IN ACCORDANCE WITH ANCHOR MANUFACTURER'S INSTALLATION INSTRUCTIONS, AND ANCHORS SHALL NOT BE USED IN SUBSTRATES WITH STRENGTHS LESS THAN THE MINIMUM STRENGTH SPECIFIED BY THE ANCHOR MANUFACTURER.
- INSTALLATION ANCHOR CAPACITIES FOR PRODUCTS HEREIN ARE BASED ON SUBSTRATE MATERIALS WITH THE FOLLOWING PROPERTIES:
 - WOOD - MINIMUM SPECIFIC GRAVITY OF 0.55.
 - CONCRETE - MINIMUM COMPRESSIVE STRENGTH OF 3000 PSI.
 - MASONRY - STRENGTH CONFORMANCE TO ASTM C-90.
 - STEEL - MINIMUM YIELD STRENGTH OF 33 KSI. MINIMUM WALL THICKNESS OF 45 MILS (18 GAUGE).

GENERAL NOTES:

- THE PRODUCT SHOWN HEREIN IS DESIGNED AND MANUFACTURED TO COMPLY WITH THE CURRENT FLORIDA BUILDING CODE (FBC), **EXCLUDING** HVHZ AND HAS BEEN EVALUATED ACCORDING TO THE FOLLOWING:
 - AAMA/WDMA/CSA 101/I.S.2/A440-17
 - ASTM E330-14
 - ASTM E331-00(16)
- ADEQUACY OF THE EXISTING STRUCTURAL CONCRETE/MASONRY AND 2X FRAMING AS A MAIN WIND FORCE RESISTING SYSTEM CAPABLE OF WITHSTANDING AND TRANSFERRING APPLIED PRODUCT LOADS TO THE FOUNDATION IS THE RESPONSIBILITY OF THE ENGINEER OR ARCHITECT OF RECORD FOR THE PROJECT OF INSTALLATION.
- 1X AND 2X BUCKS (WHEN USED) SHALL BE DESIGNED AND ANCHORED TO PROPERLY TRANSFER ALL LOADS TO THE STRUCTURE. BUCK DESIGN AND INSTALLATION IS THE RESPONSIBILITY OF THE ENGINEER OR ARCHITECT OF RECORD FOR THE PROJECT OF INSTALLATION.
- THE INSTALLATION DETAILS DESCRIBED HEREIN ARE GENERIC AND MAY NOT REFLECT ACTUAL CONDITIONS FOR A SPECIFIC SITE. IF SITE CONDITIONS CAUSE INSTALLATION TO DEVIATE FROM THE REQUIREMENTS DETAILED HEREIN, A LICENSED ENGINEER OR ARCHITECT SHALL PREPARE SITE SPECIFIC DOCUMENTS FOR USE WITH THIS DOCUMENT.
- APPROVED IMPACT PROTECTIVE SYSTEM **IS REQUIRED** ON THIS PRODUCT IN AREAS REQUIRING IMPACT RESISTANCE.
- FRAME MATERIAL: ALUMINUM 6063-T5 & CS-B STEEL
- DISSIMILAR METALS INCLUDING FASTENERS THAT MAY COME INTO CONTACT WITH ALUMINUM UNIT FRAMING SHALL BE PROTECTED AS DEFINED IN THE FBC.
- ALL EXPOSED STEEL COMPONENTS ARE GALVANIZED AND SHOP PRIMED.
- GLASS SHALL MEET THE REQUIREMENTS OF ASTM E 1300 GLASS CHARTS. SEE SHEET 2 FOR GLAZING DETAIL.

TABLE OF CONTENTS	
SHEET	SHEET DESCRIPTION
1	INSTALLATION & GENERAL NOTES
2	ELEVATION, ANCHOR LAYOUT & GLAZING DETAIL
3	VERTICAL SECTIONS
4	HORIZONTAL SECTIONS
5	COMPONENTS & BILL OF MATERIALS

DESIGN PRESSURE RATING				
LOCK TYPE	FRAME SIZE	DESIGN PRESSURE		MISSILE IMPACT RATING
SINGLE POINT	39.75" X 85.38"	+45.0 / -45.0 PSF*	W/O WATER INFILTRATION	NON-IMPACT
SINGLE POINT	51.88" X 85.38"	+30.0 / -30.0 PSF*	W/O WATER INFILTRATION	NON-IMPACT
SINGLE POINT W/ DEAD BOLT	39.75" X 85.38"	+45.0 / -45.0 PSF*	W/O WATER INFILTRATION	NON-IMPACT
SINGLE POINT W/ DEAD BOLT	51.88" X 85.38"	+30.0 / -30.0 PSF*	W/O WATER INFILTRATION	NON-IMPACT

*UNIT SHALL BE INSTALLED AT LOCATION PROTECTED BY OVERHANG SUCH THAT THE OVERHANG RATIO (OH) = OH LENGTH/OH HEIGHT IS GREATER THAN 1.0 WHERE WATER INFILTRATION IS REQUIRED.

PLYCO

PLYCO CORPORATION

P.O. BOX 386
500 INDUSTRIAL RD.
ELKHART LAKE, WI 53020
PH: (920) 876-3611 FAX: (920) 876-3527

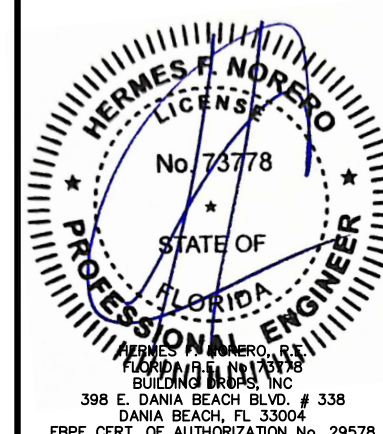
TITLE: SERIES 20EV GLAZED STEEL OUTSWING DOOR (NON-HVHZ) (NON-IMPACT) INSTALLATION & GENERAL NOTES

PREPARED BY: BUILDING DROPS, INC.
398 E. DANIA BEACH BLVD., STE. 338
DANIA BEACH, FL 33004
PH: (954)399-8478
FAX: (954)744-4738
WEB: www.buildingdrops.com



REMARKS	BY	DATE
FBC 2023 REVISION	FB	09/06/23

THE INSTALLATION DETAILS DESCRIBED HEREIN ARE GENERIC AND MAY NOT REFLECT ACTUAL CONDITIONS FOR A SPECIFIC SITE. IF SITE CONDITIONS CAUSE INSTALLATION TO DEVIATE FROM THE REQUIREMENTS DETAILED HEREIN, A LICENSED ENGINEER OR ARCHITECT SHALL PREPARE SITE SPECIFIC DOCUMENTS FOR USE WITH THIS DOCUMENT.



FL #: **FL15336**

DATE: **02.13.12**

DWG. BY: **JLA** CHK. BY: **HFN**

SCALE: **NTS**

DWG. #: **PCO009**

SHEET: **1**
OF 5

PLYCO

PLYCO CORPORATION

P.O. BOX 386
500 INDUSTRIAL RD.
ELKHART LAKE, WI 53020
PH: (920) 876-3611 FAX: (920) 876-3527

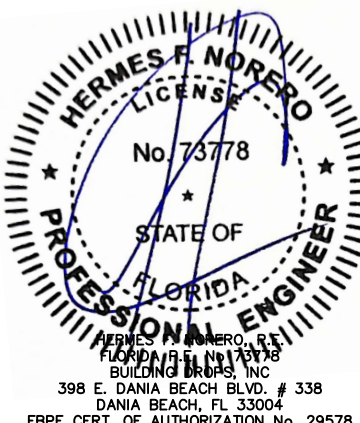
TITLE: SERIES 20EV GLAZED STEEL OUTSWING DOOR (NON-HVHZ) (NON-IMPACT) ELEVATION & ANCHOR LAYOUT

PREPARED BY: BUILDING DROPS, INC.
398 E. DANIA BEACH BLVD., STE. 338
DANIA BEACH, FL 33004
PH: (954)399-8478
FAX: (954)744-4738
WEB: www.buildingdrops.com



REMARKS	BY	DATE
FBC 2023 REVISION	FB	09/06/23

THE INSTALLATION DETAILS DESCRIBED HEREIN ARE GENERIC AND MAY NOT REFLECT ACTUAL CONDITIONS FOR A SPECIFIC SITE. IF SITE CONDITIONS CAUSE INSTALLATION TO DEVIATE FROM THE REQUIREMENTS DETAILED HEREIN, A LICENSED ENGINEER OR ARCHITECT SHALL PREPARE SITE SPECIFIC DOCUMENTS FOR USE WITH THIS DOCUMENT.



FL #:

FL15336

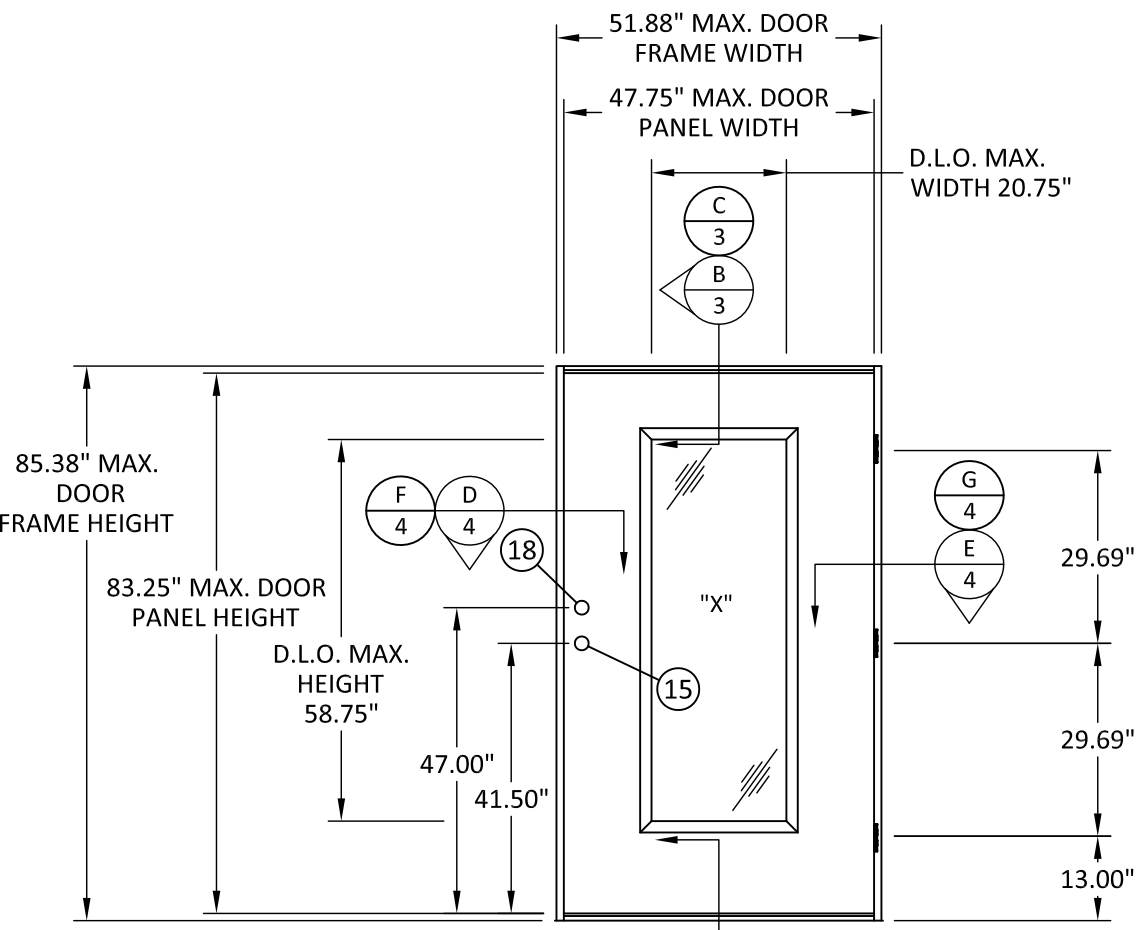
DATE: **02.13.12**

DWG. BY: **JLA** CHK. BY: **HFN**

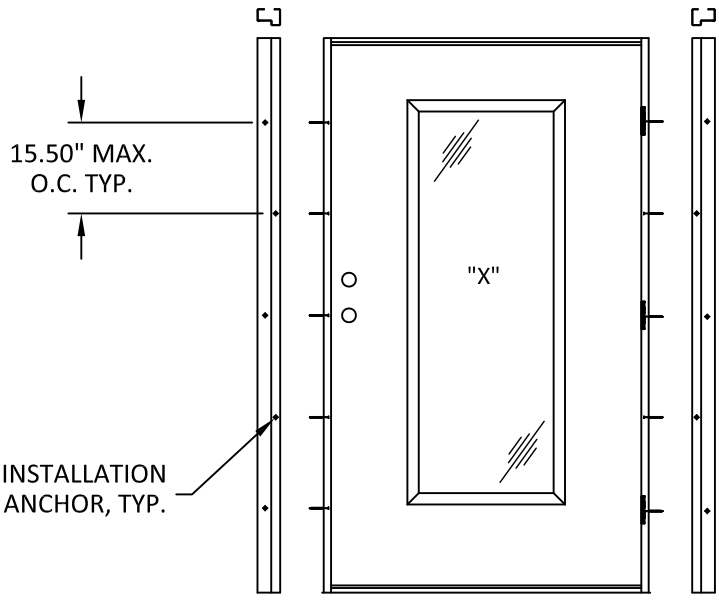
SCALE: **NTS**

DWG. #: **PCO009**

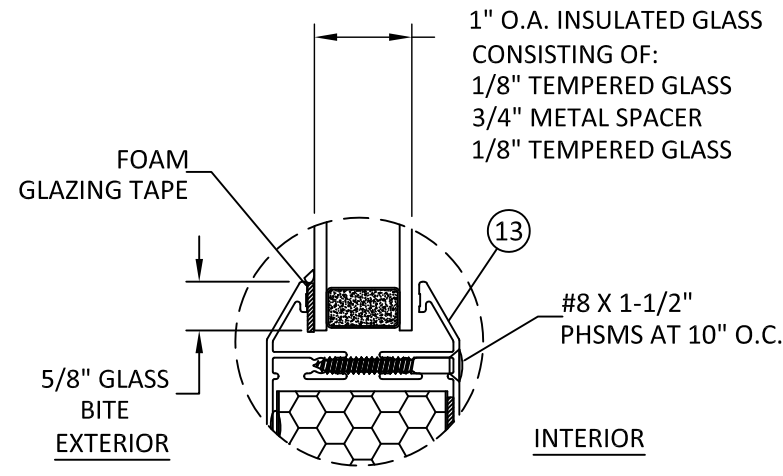
SHEET:
2
OF 5



ELEVATION

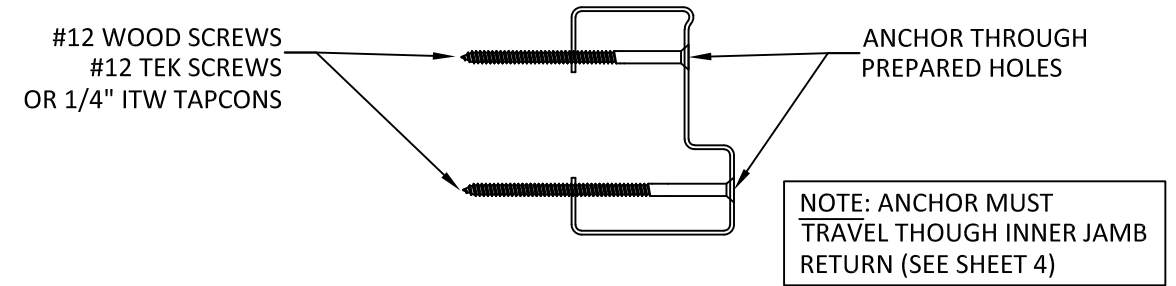


ANCHOR LAYOUT



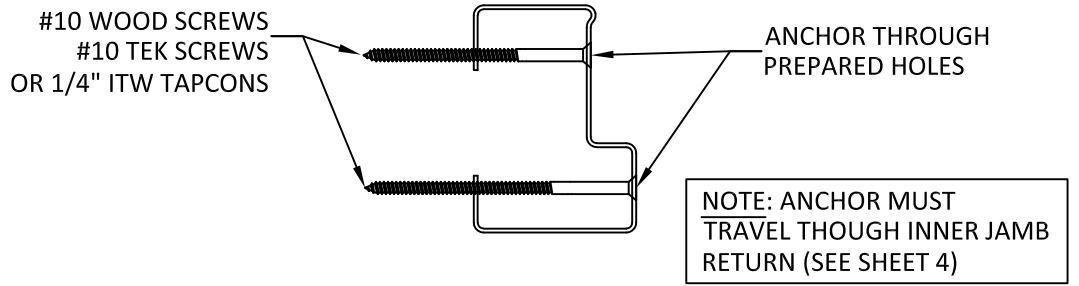
GLAZING DETAIL 1

NOTE:
1) ALL GLAZING CONFIGURATIONS SHALL COMPLY WITH SAFETY GLAZING REQUIREMENTS OUTLINED IN THE CURRENT FBC.



LOCK JAMB TYP. ANCHOR PLACEMENT

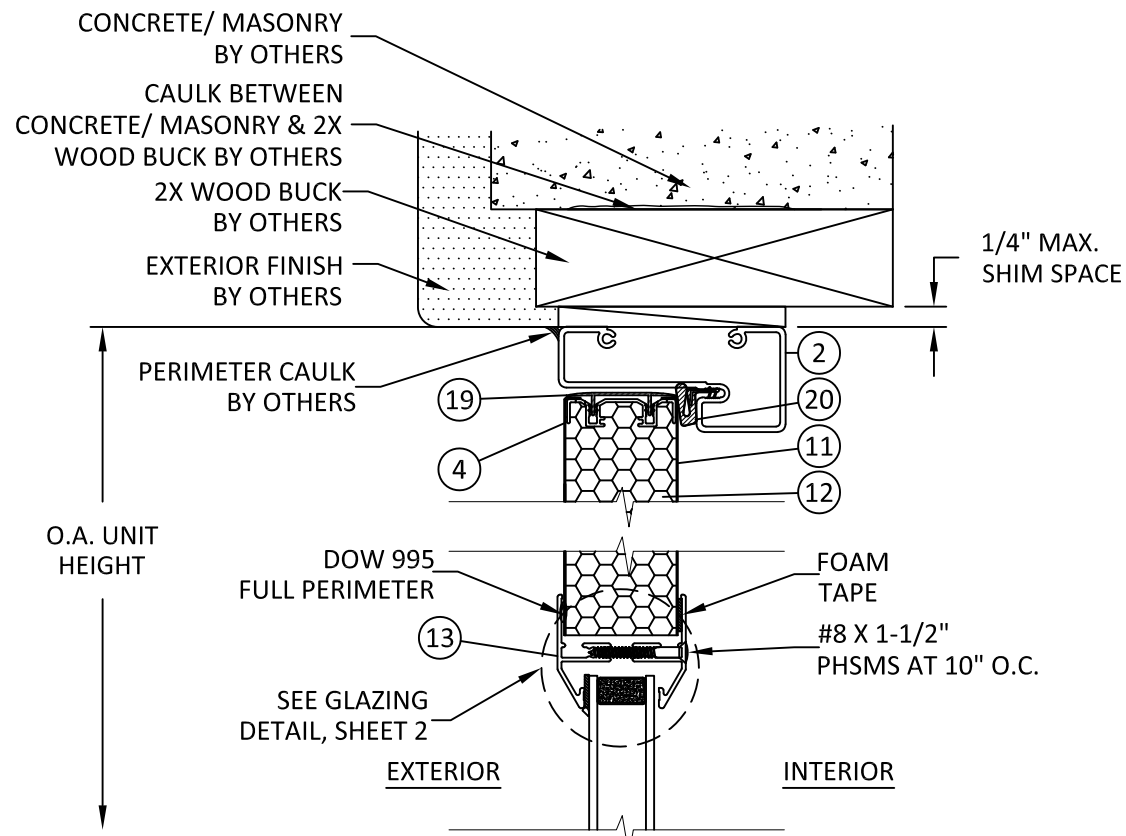
NOTE: ANCHOR MUST TRAVEL THROUGH INNER JAMB RETURN (SEE SHEET 4)



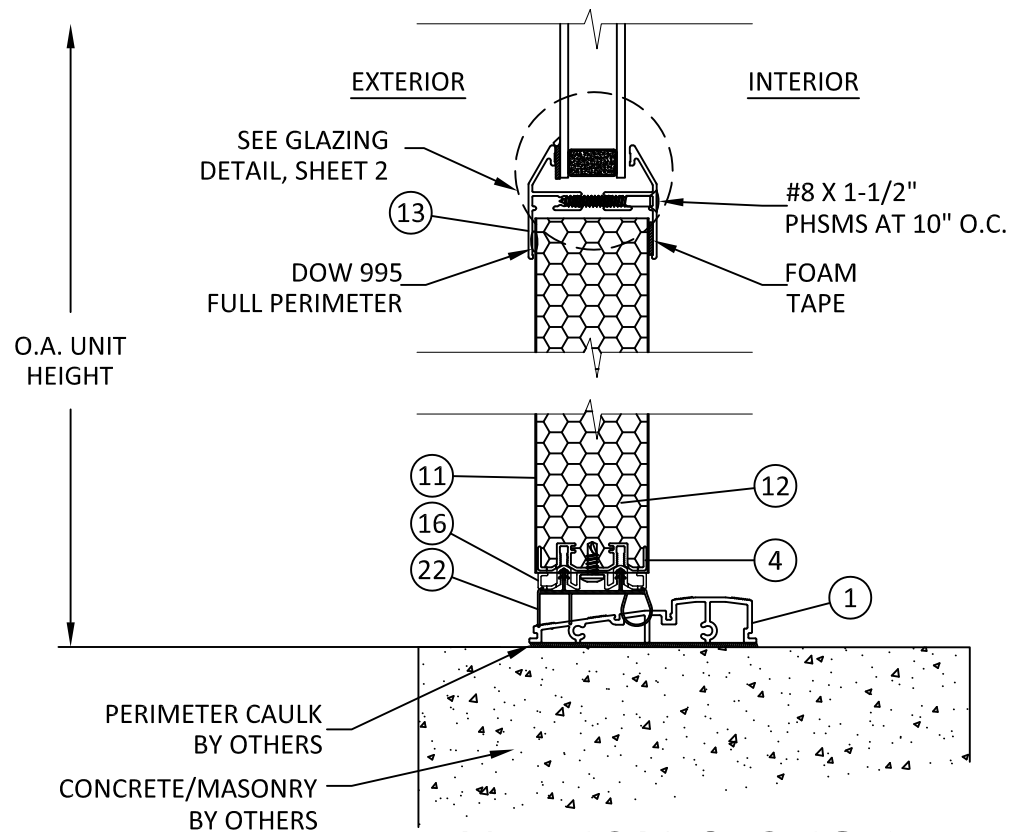
HINGE JAMB TYP. ANCHOR PLACEMENT

NOTE: ANCHOR MUST TRAVEL THROUGH INNER JAMB RETURN (SEE SHEET 4)

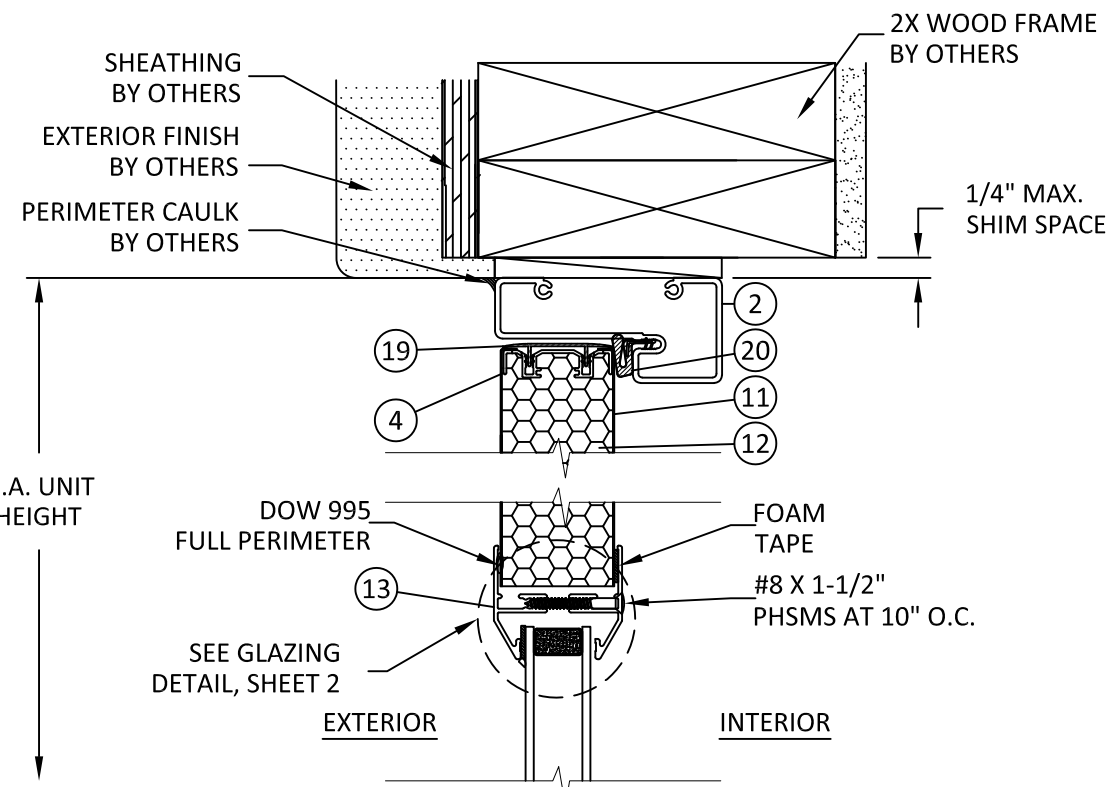
9/7/2023 3:04 PM



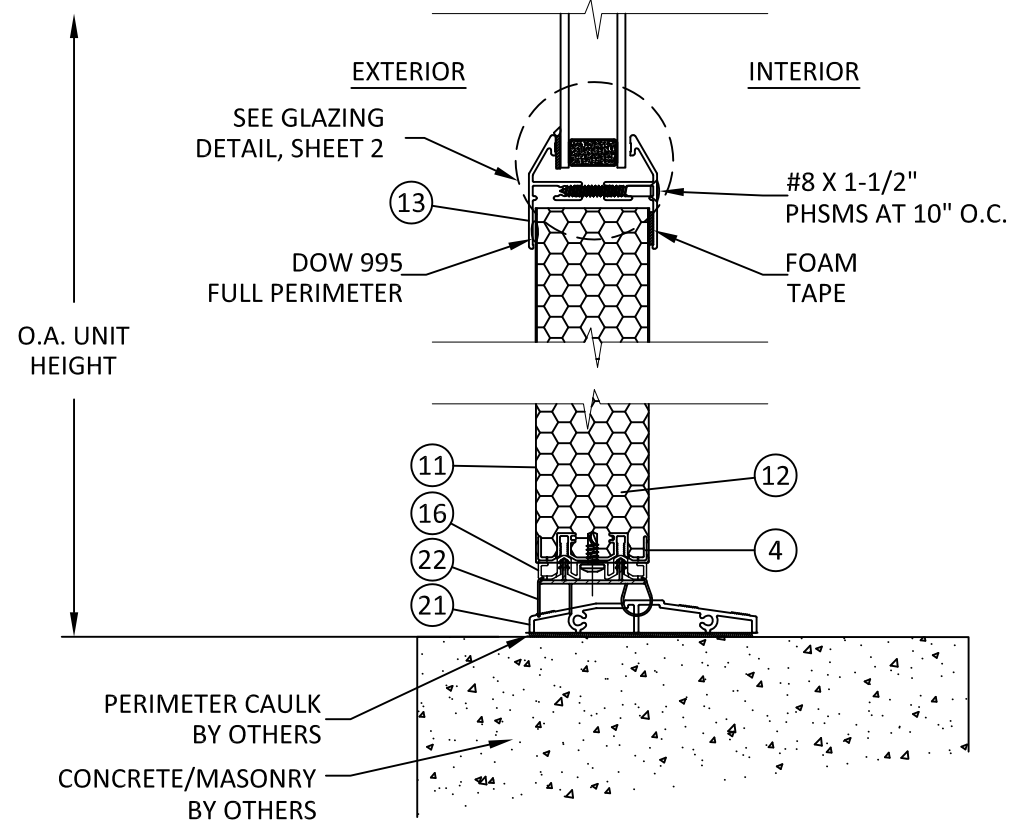
B
3
VERTICAL SECTION
HEAD - 2X WOOD BUCK



A
3
VERTICAL SECTION
SILL - CONCRETE/MASONRY



C
3
VERTICAL SECTION
HEAD - 2X WOOD FRAME



A1
3
VERTICAL SECTION
SILL - ADA THRESHOLD (OPTIONAL)

PLYCO

PLYCO CORPORATION

P.O. BOX 386
500 INDUSTRIAL RD.
ELKHART LAKE, WI 53020
PH: (920) 876-3611 FAX: (920) 876-3527

TITLE:
SERIES 20EV GLAZED
STEEL OUTSWING DOOR
(NON-HVHZ) (NON-IMPACT)

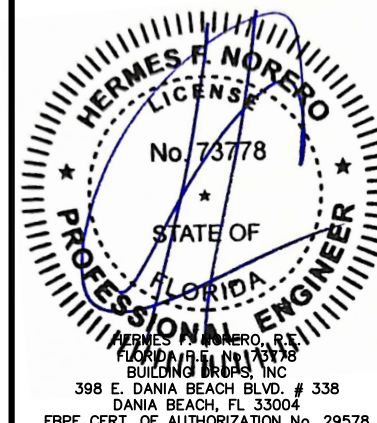
VERTICAL SECTIONS &
GLAZING DETAIL

PREPARED BY:
BUILDING DROPS, INC.
398 E. DANIA BEACH BLVD., STE. 338
DANIA BEACH, FL 33004
PH: (954) 399-8478
FAX: (954) 744-4738
WEB: www.buildingdrops.com



REMARKS	BY	DATE
FBC 2023 REVISION	FB	09/06/23

THE INSTALLATION DETAILS DESCRIBED HEREIN ARE GENERIC AND MAY NOT REFLECT ACTUAL CONDITIONS FOR A SPECIFIC SITE. IF SITE CONDITIONS CAUSE INSTALLATION TO DEVIATE FROM THE REQUIREMENTS DETAILED HEREIN, A LICENSED ENGINEER OR ARCHITECT SHALL PREPARE SITE SPECIFIC DOCUMENTS FOR USE WITH THIS DOCUMENT.



FL #:	FL15336
DATE:	02.13.12
DWG. BY:	JLA
CHK. BY:	HFN
SCALE:	NTS
DWG. #:	PCO009

SHEET:
3
OF 5

z:\projects\plyco corp\cc-23-0752 - 2023 code change - series 20ev\dwgs\pco009\pco009-fbc2023.dwg

TITLE: SERIES 20EV GLAZED STEEL OUTSWING DOOR (NON-HVHZ) (NON-IMPACT)

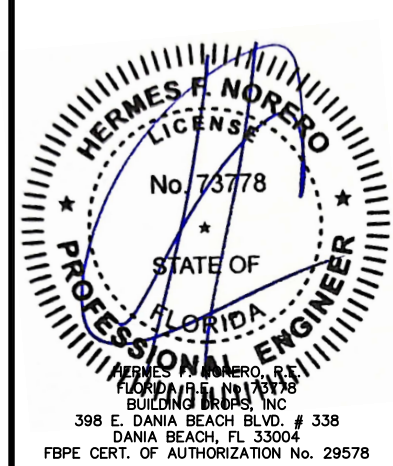
HORIZONTAL SECTIONS

PREPARED BY: BUILDING DROPS, INC.
398 E. DANIA BEACH BLVD., STE. 338
DANIA BEACH, FL 33004
PH: (954) 399-8478
FAX: (954) 744-4738
WEB: www.buildingdrops.com



REMARKS	BY	DATE
FBC 2023 REVISION	FB	09/06/23

THE INSTALLATION DETAILS DESCRIBED HEREIN ARE GENERIC AND MAY NOT REFLECT ACTUAL CONDITIONS FOR A SPECIFIC SITE. IF SITE CONDITIONS CAUSE INSTALLATION TO DEVIATE FROM THE REQUIREMENTS DETAILED HEREIN, A LICENSED ENGINEER OR ARCHITECT SHALL PREPARE SITE SPECIFIC DOCUMENTS FOR USE WITH THIS DOCUMENT.



FL #: **FL15336**

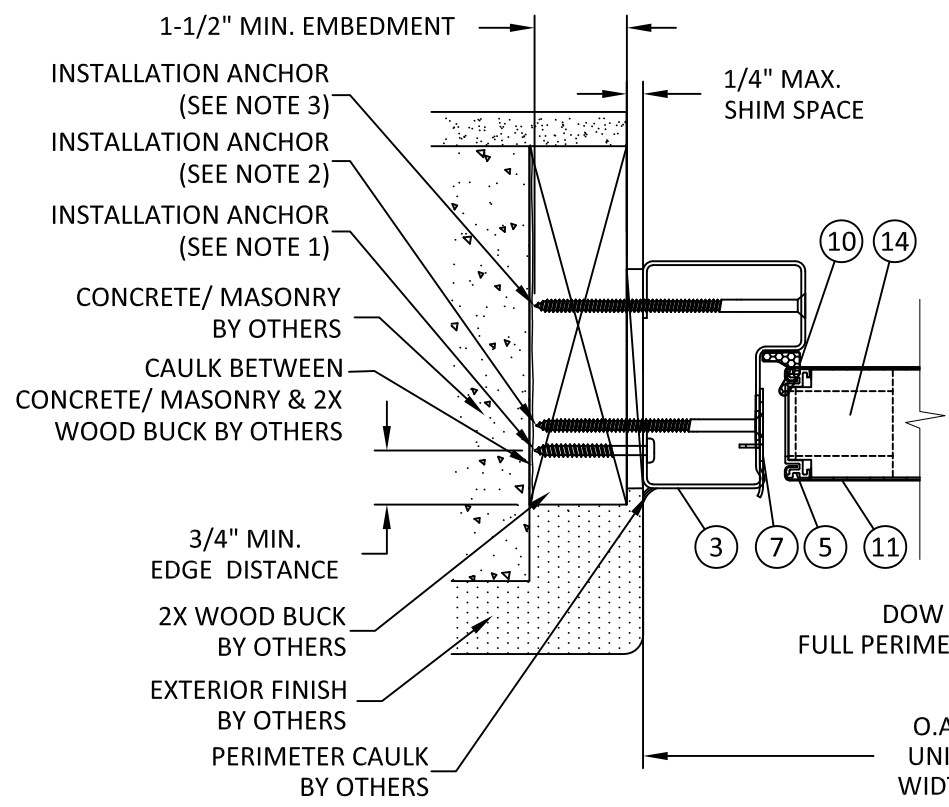
DATE: **02.13.12**

DWG. BY: JLA	CHK. BY: HFN
---------------------	---------------------

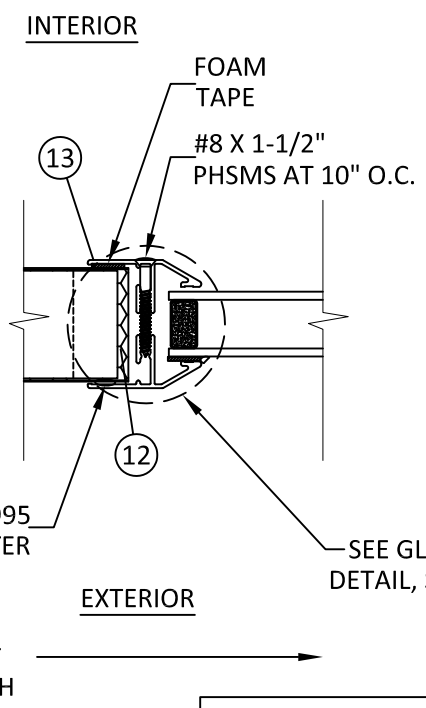
SCALE: **NTS**

DWG. #: **PCO009**

SHEET: **4** OF 5

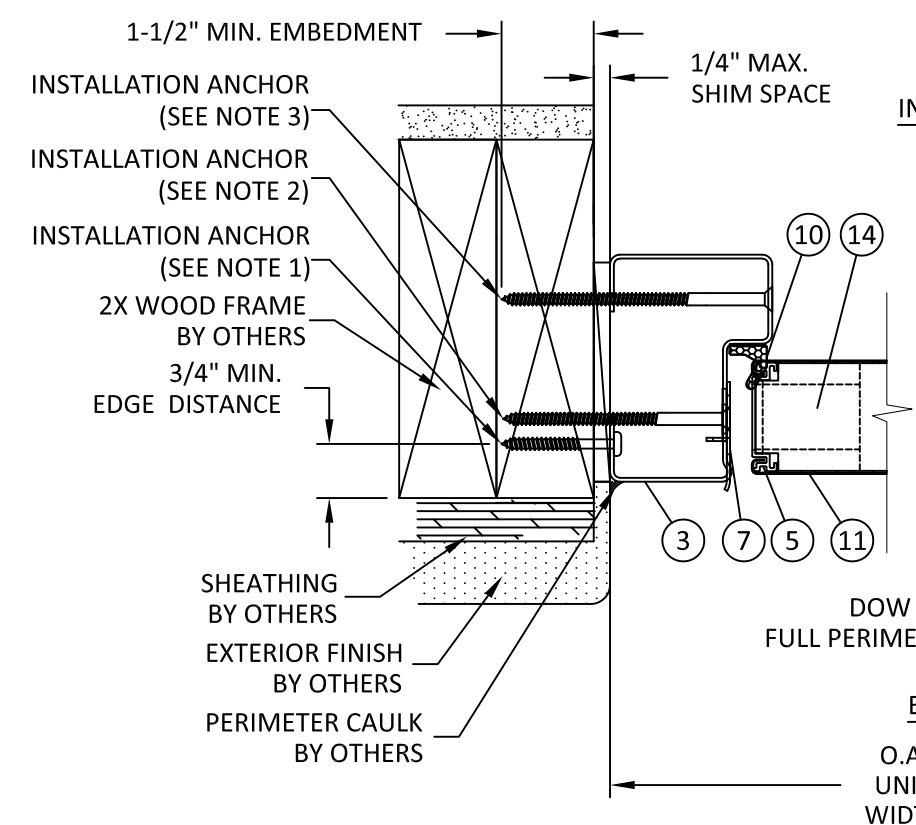


D
4 HORIZONTAL SECTION
JAMB - 2X WOOD BUCK, TYP.

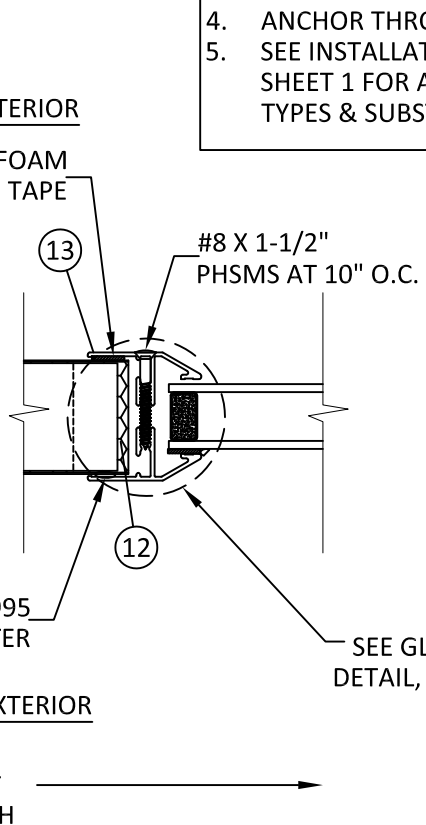


E
4 HORIZONTAL SECTION
JAMB - STEEL STUD, TYP.

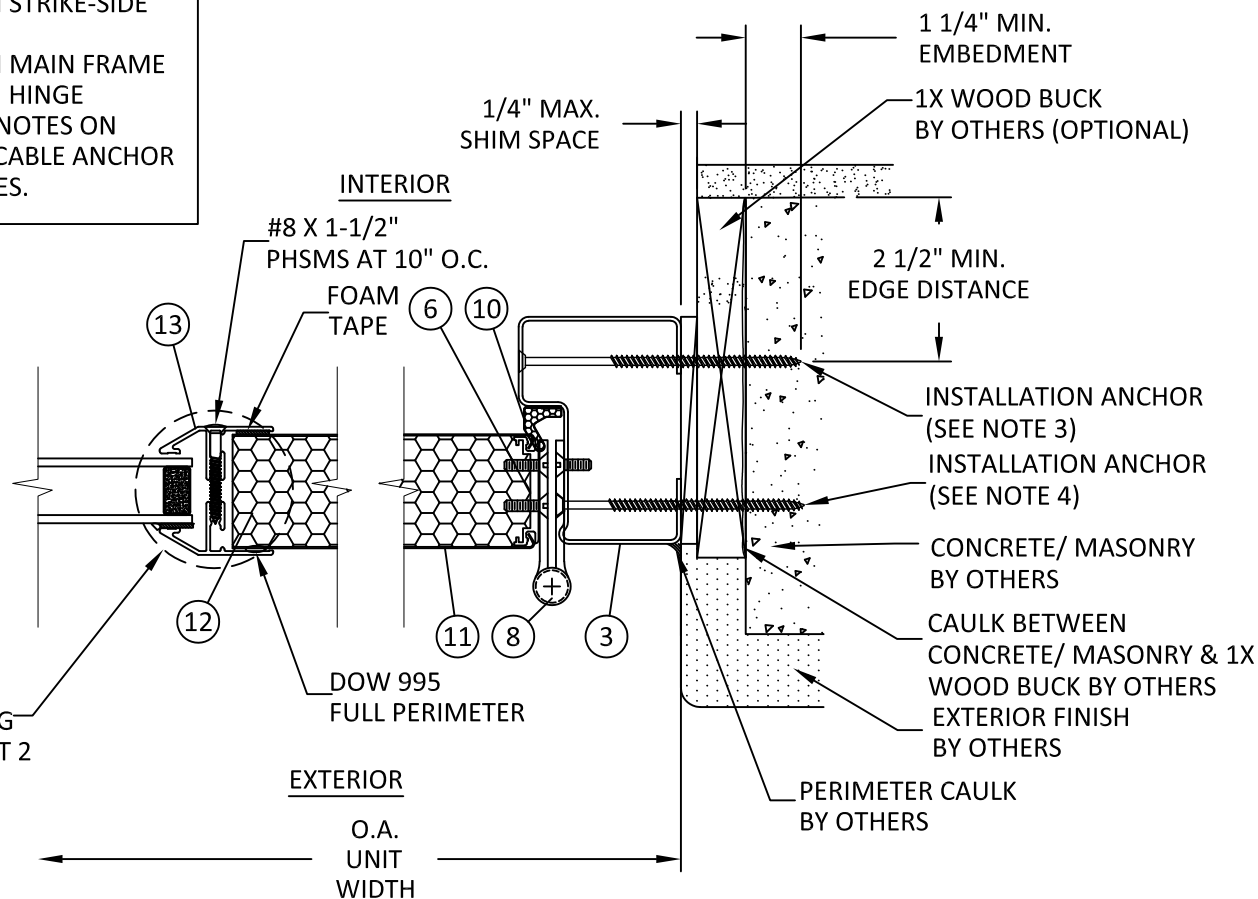
- INSTALLATION ANCHOR NOTES**
1. ANCHOR THROUGH FRAME RETURN AT STRIKE
 2. ANCHOR THROUGH STRIKE-SIDE FRAME
 3. ANCHOR THROUGH MAIN FRAME
 4. ANCHOR THROUGH HINGE
 5. SEE INSTALLATION NOTES ON SHEET 1 FOR APPLICABLE ANCHOR TYPES & SUBSTRATES.



F
4 HORIZONTAL SECTION
JAMB - 2X WOOD FRAME, TYP.



G
4 HORIZONTAL SECTION
JAMB - MASONRY/CONCRETE, TYP.



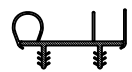
H
4 HORIZONTAL SECTION
JAMB - STEEL STUD, TYP.

BILL OF MATERIALS

ITEM NO.	DESCRIPTION	PARTS NUMBERS	MATERIAL	MANUFACTURER
1	FRAME SILL	1647	6063-T5	MODERN DOOR
2	FRAME HEAD	1880	6063-T5	MODERN DOOR
3	FRAME JAMB	1539	STEEL	MODERN DOOR
4	HEAD & SILL RAIL	1838-1A	6063-T5	MODERN DOOR
5	STRIKE RAIL	1839	6063-T5	MODERN DOOR
6	HINGE RAIL	1840-B	6063-T5	MODERN DOOR
7	STRIKE PLATE	---	STEEL	MODERN DOOR
8	4" BUTT HINGE	---	STEEL	MODERN DOOR
9	DOOR SWEEP (HEAD)	---	PVC-ALCRYN	MODERN DOOR
10	FOAM FILLED WEATHER SEAL	WS-016	FOAM	MODERN DOOR
11	DOOR SKIN	---	0.021" STEEL	MODERN DOOR
12	PANEL CORE	---	POLYURETHANE	MODERN DOOR
13	LIT-KIT-FRAME	HM-23323	6063-T5	MODERN DOOR
14	LOCK BLOCK	---	WOOD	MODERN DOOR
15	LOCKSET	---	STEEL	SCHLAGE
16	PANEL SEAL	1929	6063-T5	MODERN DOOR
17	DOOR SWEEP (SILL)	---	PVC-ALCRYN	MODERN DOOR
18	DEADBOLT(OPTIONAL)	---	STEEL	SCHLAGE
19	DOOR CAP	---	PVC	MODERN DOOR
20	WEATHER SEAL	9650	PVC	MODERN DOOR
21	ADA SILL (OPTIONAL)	1572	6063-T5	MODERN DOOR
22	DOOR SWEEP	1852	PVC-ALCRYN	MODERN DOOR

NOTE: ALL EXPOSED STEEL COMPONENTS ARE GALVANIZED AND SHOP PRIMED.

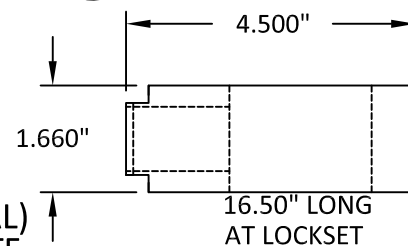
9 DOOR SWEEP (HEAD)
PVC-ALCRYN



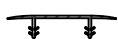
10 FOAM FILLED WEATHER SEAL
FOAM



14 LOCK BLOCK
WOOD



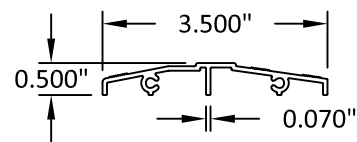
19 DOOR CAP
PVC



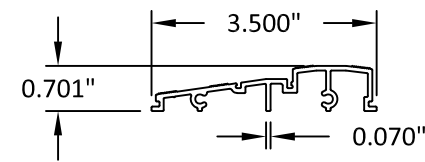
20 WEATHER SEAL
PVC



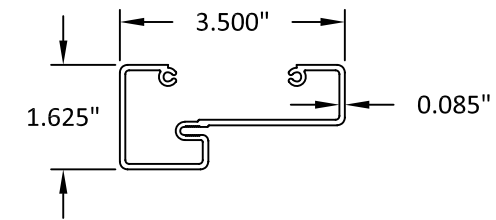
21 ADA SILL (OPTIONAL)
ALUMINUM 6063-T5



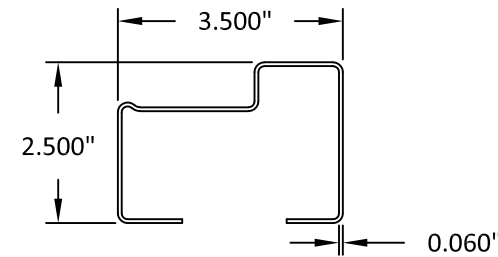
1 FRAME SILL
ALUMINUM 6063-T5



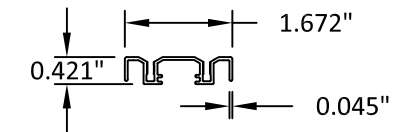
2 FRAME HEAD
ALUMINUM 6063-T5



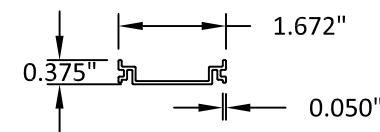
3 FRAME JAMB
16 GA. STEEL



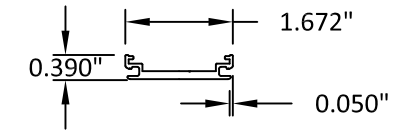
4 HEAD & SILL RAIL
ALUMINUM 6063-T5



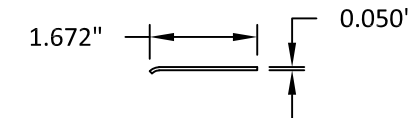
5 STRIKE RAIL
ALUMINUM 6063-T5



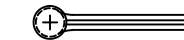
6 HINGE RAIL
ALUMINUM 6063-T5



7 STRIKE PLATE
18 GA. STEEL

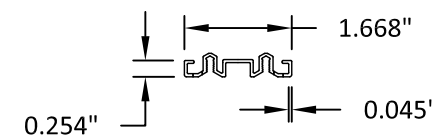


8 4" BUTT HINGE
STEEL

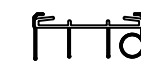


ZINC-PLATED MILD STEEL OR
304 STAINLESS STEEL

16 PANEL SEAL
ALUMINUM 6063-T5



17 DOOR SWEEP (SILL)
PVC-ALCRYN



22 DOOR SWEEP
PVC-ALCRYN



PLYCO

PLYCO CORPORATION

P.O. BOX 386
500 INDUSTRIAL RD.
ELKHART LAKE, WI 53020
PH: (920) 876-3611 FAX: (920) 876-3527

TITLE: SERIES 20EV GLAZED
STEEL OUTSWING DOOR
(NON-HVHZ) (NON-IMPACT)

COMPONENTS &
BILL OF MATERIALS

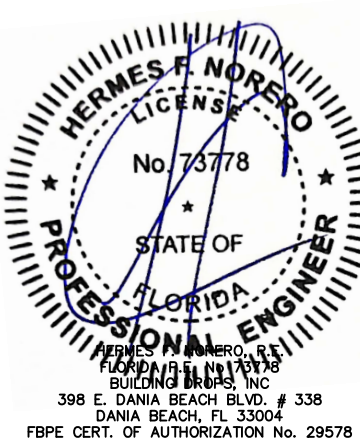
PREPARED BY:

BUILDING DROPS, INC.
398 E. DANIA BEACH BLVD., STE. 338
DANIA BEACH, FL 33004
PH: (954)399-8478
FAX: (954)744-4738
WEB: www.buildingdrops.com



REMARKS	BY	DATE
FBC 2023 REVISION	FB	09/06/23

THE INSTALLATION DETAILS DESCRIBED HEREIN ARE GENERIC AND MAY NOT REFLECT ACTUAL CONDITIONS FOR A SPECIFIC SITE. IF SITE CONDITIONS CAUSE INSTALLATION TO DEVIATE FROM THE REQUIREMENTS DETAILED HEREIN, A LICENSED ENGINEER OR ARCHITECT SHALL PREPARE SITE SPECIFIC DOCUMENTS FOR USE WITH THIS DOCUMENT.



FL #: **FL15336**

DATE: **02.13.12**

DWG. BY: **JLA** CHK. BY: **HFN**

SCALE: **NTS**

DWG. #: **PCO009**

SHEET: **5**
OF 5